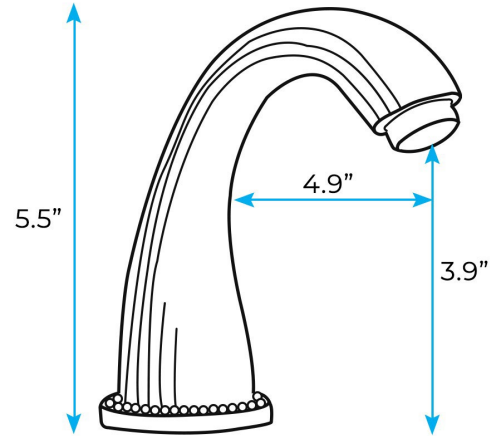


## VENICE ANTIQUE BRASS COMMERCIAL AUTOMATIC SENSOR FAUCET SPECS



### SPECS:

Power: DC:6V(4AA alkaline battery)

AC:220V-240V; 50/60HZ

Valve Core Material: Ceramic

Installation Holes: Single Hole

Faucet Installation Type: Deck Mounted

Fitting thread: G 1/2"

Material: Brass

Flow Rate: 1.8 GPM (6.81 L/min)

Valve included: Yes

Flux:  $\geq 0.07\text{L/S}$

Temperature: 0.1-50°C

Dia of installing faucet: 33~35mm

